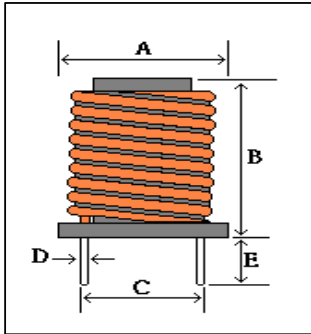


Radial Power Chokes

AMRPC1



Characteristics

Operating temperature	-55°C to +125°C
Inductance tolerance	+/- 10%, +/- 15%
Testing	L measured on CH-100 1KHz LCR meter IDC : CH-301 current source & DCR meter RDC : CH-301 current source & DCR meter
Test frequency	15.75 KHz
Rated current	Based on the inductance change within 10% of initial value
Sleeving	Poly-Olefin shrink tube
Marking	Inductance code
Packaging	Bulk only

PART NUMBER	L (uH)	RATE CURRENT (Amps)	DCR (Ohm) Max	A Max	B Max	C	D
	+/- 15%						
1R5-15	1.5	18.2	0.003	.65/16.5	.90/22.9	.42/10.7	.068/1.73
1R8-10	1.8	18.2	0.006	.65/16.5	1.1/27.9	.42/10.7	.054/1.37
1R8-15	1.8	19.3	0.003	.65/16.5	1.1/27.9	.42/10.7	.068/1.73
4R7-3	4.7	7.5	0.021	.62/15.7	.85/21.6	.42/10.7	.035/0.89
4R7-5	4.7	9.1	0.012	.62/15.7	.85/21.6	.42/10.7	.042/1.07
4R7-10	4.7	11.8	0.012	.62/15.7	1.1/27.9	.42/10.7	.054/1.37
	+/- 10%						
100K-3	10	6.0	0.026	.63/16.0	.85/21.6	.42/10.7	.035/0.89
100K-5	10	7.1	0.02	.62/15.7	.85/21.6	.42/10.7	.042/1.07
100K-10	10	10.9	0.013	.63/16.0	1.1/27.9	.42/10.7	.054/1.37
150K-10	15	11.8	0.02	.70/17.8	1.4/35.6	.42/10.7	.060/1.52
220K-3	22	5.5	0.035	.62/15.7	1.1/27.9	.42/10.7	.035/0.89
220K-5	22	6.9	0.023	.62/15.7	1.1/27.9	.42/10.7	.042/1.07
220K-10	22	10.4	0.018	.70/17.8	1.4/35.6	.42/10.7	.060/1.52
470K-3	47	5.3	0.05	.65/16.5	1.1/27.9	.42/10.7	.035/0.89
470K-5	47	6.3	0.033	.90/22.9	1.2/30.5	.70/17.8	.042/1.07
470K-10	47	8.2	0.022	.90/22.9	1.4/35.6	.70/17.8	.060/1.52
101K-3	100	3.4	0.072	.90/22.9	1.3/33.1	.70/17.8	.035/0.89
101K-5	100	4.9	0.055	.90/22.9	1.4/35.6	.70/17.8	.042/1.07
181K-3	180	2.8	0.15	.63/18.0	1.2/30.5	.42/10.7	.028/0.71
301K-5	300	3.4	0.16	1.1/27.9	1.0/25.4	.70/17.8	.038/0.97
391K-5	390	3.0	0.19	1.1/27.9	1.0/25.4	.70/17.8	.038/0.97



AMT

Email : - vanthang@hcm.vnn.vn

- advtech@tpts1.seed.net.tw