

Common Mode Inductors (with Header)

Special Features

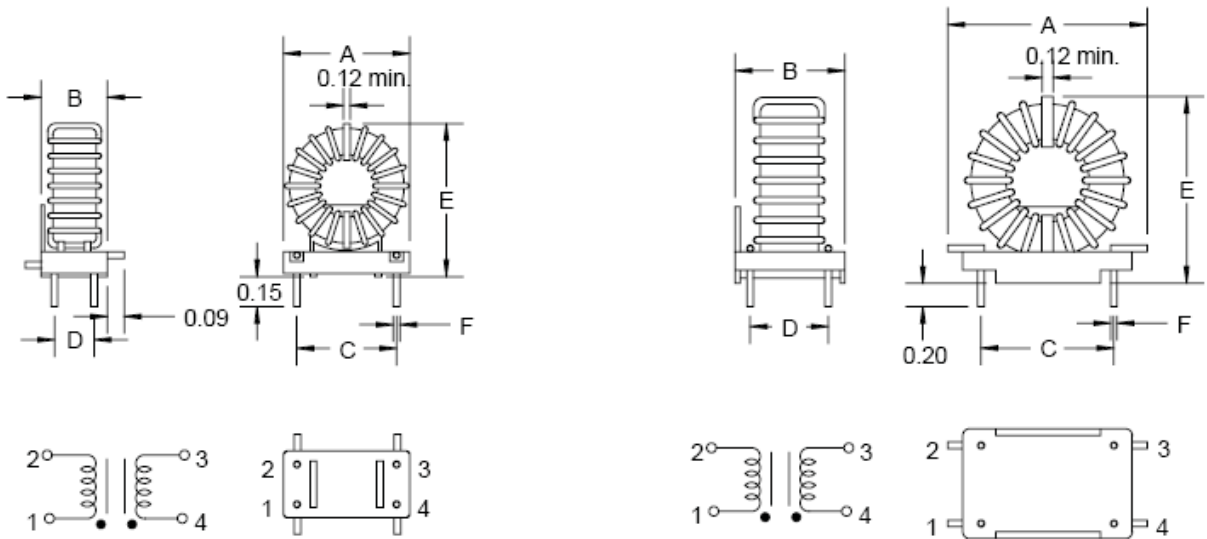
- . Single layer wound
- . Excellent EMI suppression capability over wide frequency spectrum
- . High current capacity
- . Dielectric strength 1500 Vrms
- . Coil mount on VW-1 rated plastic header
- . Fixed pin spacing allow easy PCB insertion
- . Operating temperature: -55 to +105°C

Notes

- * Rated current to causes approx 35°C temperature rise

CMI Series									
PART NUMBER**	L(mH) Min @1KHZ	IDC* (A)	DCR (mOhms) Max	Dim A Max inch	Dim B +/-0.01 inch	Dim C +/-0.015 inch	Dim D +/-0.015 inch	Dim E Max inch	Dim F Max inch
CMI01-RC	4	1.7	0.173	0.760	0.425	0.600	0.250	0.90	0.040
CMI02-RC	2.5	2.4	0.090	0.760	0.425	0.600	0.250	0.90	0.040
CMI03-RC	1	4.8	0.022	0.760	0.425	0.600	0.250	0.90	0.040
CMI04-RC	10	2.4	0.170	1.20	0.60	0.800	0.400	1.20	0.050
CMI05-RC	7	2.8	0.120	1.20	0.60	0.800	0.400	1.20	0.050
CMI06-RC	5	3.7	0.070	1.20	0.60	0.800	0.400	1.20	0.050
CMI07-RC	2	6.6	0.022	1.20	0.60	0.800	0.400	1.20	0.050
CMI08-RC	1	10.0	0.010	1.20	0.60	0.800	0.400	1.20	0.050
CMI09-RC	30	2.3	0.330	1.35	0.80	0.900	0.600	1.45	0.050
CMI10-RC	20	2.9	0.210	1.35	0.80	0.900	0.600	1.45	0.050
CMI11-RC	12	4.0	0.110	1.35	0.80	0.900	0.600	1.45	0.050
CMI12-RC	8	5.6	0.055	1.35	0.80	0.900	0.600	1.45	0.050
CMI13-RC	5	8.9	0.022	1.45	0.80	0.900	0.600	1.50	0.043
CMI14-RC	2.5	12.5	0.011	1.45	0.80	0.900	0.600	1.50	0.053
CMI15-RC	1.2	16.0	0.006	1.50	0.80	0.900	0.600	1.53	0.060
CMI16-RC	50	2.3	0.450	1.55	0.80	0.900	0.600	1.65	0.050
CMI17-RC	36	2.9	0.300	1.55	0.80	0.900	0.600	1.65	0.050
CMI18-RC	7.3	9.3	0.032	1.65	0.80	0.900	0.600	1.65	0.043
CMI19-RC	4	14.5	0.012	1.70	0.90	1.200	0.700	1.65	0.060
CMI20-RC	2.4	17	0.008	1.70	0.90	1.200	0.700	1.65	0.067
CMI21-RC	1	20	0.007	1.70	0.90	1.200	0.700	1.65	0.067

RC: ROHS compliance.
CMI CROSS BOURNS 8100



8101-8103

8104-8121

Dimensions: Inches