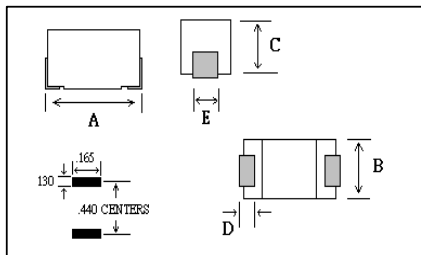


SMD-S4-4924



- A :** .490" to .520"
- B :** .230" to .250"
- C :** .210" to .230"
- D :** .050" Min
- E :** .055" to .095"

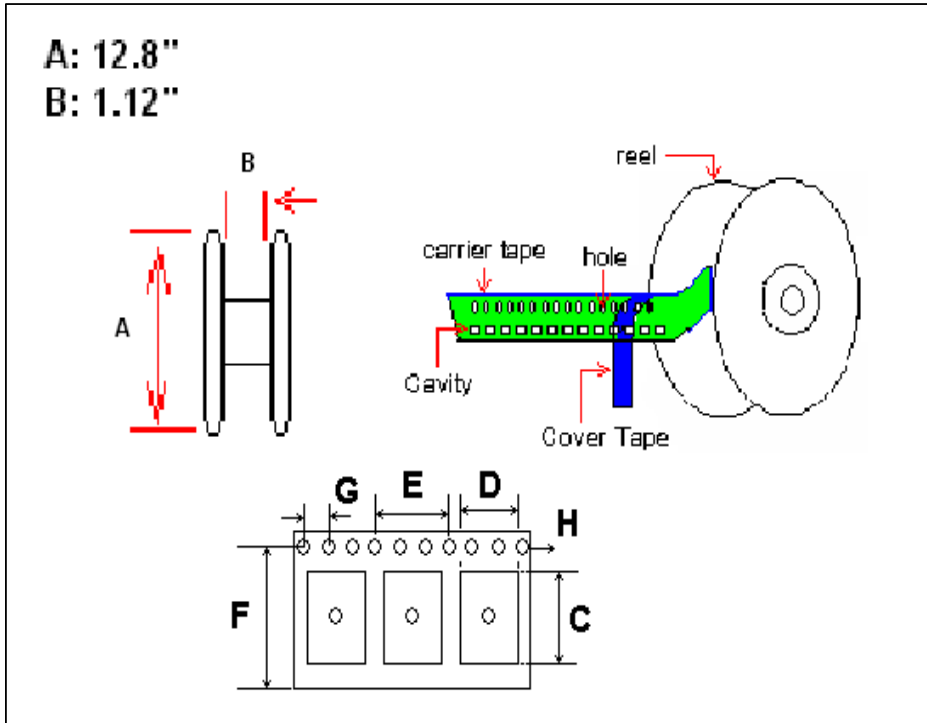
Characteristics

Operating temperature	-55°C to +125°C
Inductance tolerance	+/- 5%, +/- 10%,
Testing (Equivalent acceptab	L & Q tested with HP 4342A L from 0.10uH to 22uH : HP 4342A Q METER at specified frequency per MIL-C-15305 L from 27uH to 100mH : 1KHz LCR Bridge IDC : CH-301 current source & DCR meter RDC : CH-301 current source & DCR meter SRF : HP-4191A .HP-4291B
Rated current	Based on the inductance change within 10% of initial value
Shielding	5% coupling maximum with 2 units side by side @1KHz
	Reflow soldering 260°C 10 sec Resistance to soldering Heat 260°C , 15 sec max
Marking	Inductance
Packaging	SMD: 800pcs/reel

PART NUMBER	L (uH)	TEST FREQ	Q Min	SRF (MHz) Min	DCR (Ohms) Max	RATED I (mA) Max	INCR mA
SMDS4-4924-R10K	0.10	25 MHz	50	400	.026	3000	3000
SMDS4-4924-R12K	0.12	25 MHz	50	400	.029	2860	2860
SMDS4-4924-R15K	0.15	25 MHz	50	400	.034	2600	2600
SMDS4-4924-R18K	0.18	25 MHz	50	400	.044	2300	2300
SMDS4-4924-R22K	0.22	25 MHz	50	400	.056	2050	2050
SMDS4-4924-R27K	0.27	25 MHz	50	400	.090	1625	1625
SMDS4-4924-R33M	0.33	25 MHz	47	325	.122	1400	1400
SMDS4-4924-R39M	0.39	25 MHz	47	390	.161	1220	1220
SMDS4-4924-R47M	0.47	25 MHz	47	264	.218	1060	1060
SMDS4-4924-R56M	0.56	25 MHz	45	249	.290	900	900
SMDS4-4924-R68K	0.68	25 MHz	43	221	.382	790	790
SMDS4-4924-R82K	0.82	25 MHz	41	200	.450	725	725
SMDS4-4924-1R0K	1	25 MHz	42	156	.054	2080	2080
SMDS4-4924-1R2K	1.2	7.9 MHz	43	144	.070	1840	1840
SMDS4-4924-1R5K	1.5	7.9 MHz	41	128	.096	1560	1560
SMDS4-4924-1R8K	1.8	7.9 MHz	42	121	.107	1480	1480
SMDS4-4924-2R2K	2.2	7.9 MHz	42	108	.142	1290	1290
SMDS4-4924-2R7K	2.7	7.9 MHz	41	96	.184	1130	1130
SMDS4-4924-3R3K	3.3	7.9 MHz	41	88	.260	950	950
SMDS4-4924-3R9K	3.9	7.9 MHz	41	84	.354	815	815
SMDS4-4924-4R7K	4.7	7.9 MHz	42	72	.168	710	710
SMDS4-4924-5R6K	5.6	7.9 MHz	42	69	.511	680	680
SMDS4-4924-6R8K	6.8	7.9 MHz	42	62	.750	560	560
SMDS4-4924-8R2K	8.2	7.9 MHz	46	58	.828	535	535
SMDS4-4924-100K	10	7.9 MHz	46	53	1.270	532	432
SMDS4-4924-120K	12	2.5 MHz	50	47	1.760	368	368
SMDS4-4924-150K	15	2.5 MHz	50	41	2.300	325	325
SMDS4-4924-180K	18	2.5 MHz	50	43	.667	596	235
SMDS4-4924-220K	22	2.5 MHz	50	38	.742	565	220
SMDS4-4924-270K	27	2.5 MHz	50	36	.850	526	200
SMDS4-4924-330K	33	2.5 MHz	50	33	.928	505	190
SMDS4-4924-390K	39	2.5 MHz	50	29.4	1.280	429	180
SMDS4-4924-470K	47	2.5 MHz	55	26.5	1.480	400	175
SMDS4-4924-560K	56	2.5 MHz	55	25	1.640	380	160
SMDS4-4924-680K	68	2.5 MHz	55	23	2.200	328	150
SMDS4-4924-820K	82	2.5 MHz	55	14	1.960	349	140
SMDS4-4924-101K	100	2.5 MHz	65	12	2.280	322	120
SMDS4-4924-121K	120	0.79 MHz	65	11.2	2.450	311	95
SMDS4-4924-151K	150	0.79 MHz	65	10.5	2.790	294	90
SMDS4-4924-181K	180	0.79 MHz	65	10	3.080	277	85
SMDS4-4924-221K	220	0.79 MHz	65	9.4	3.480	251	80
SMDS4-4924-271K	270	0.79 MHz	65	8.0	4.550	231	70
SMDS4-4924-331K	330	0.79 MHz	65	7.3	5.100	215	65
SMDS4-4924-391K	390	0.79 MHz	65	6.9	5.620	205	60
SMDS4-4924-471K	470	0.79 MHz	70	6.5	6.450	192	58
SMDS4-4924-561K	560	0.79 MHz	70	6.0	8.000	174	55
SMDS4-4924-681K	680	0.79 MHz	75	5.6	8.850	163	50
SMDS4-4924-821K	820	0.79 MHz	70	4.8	10.400	151	45

PART NUMBER	L (uH)	TEST FREQ	Q Min	SRF (MHz) Min	DCR (Ohms)		RATED I (mA) Max	INCR mA
						Max		
SMDS4-4924-102K	1000	0.79 MHz	65	4.5	12.100	139	40	
SMDS4-4924-122K	1200	0.25 MHz	70	2.6	15.1	125	35	
SMDS4-4924-152K	1500	0.25 MHz	70	2.5	16.8	119	33	
SMDS4-4924-182K	1800	0.25 MHz	70	2.3	19.1	111	30	
SMDS4-4924-222K	2200	0.25 MHz	70	2.2	22.0	103	27	
SMDS4-4924272K	2700	0.25 MHz	70	2.1	25.1	97	25	
SMDS4-4924-332K	3300	0.25 MHz	70	2.0	33.3	85	22	
SMDS4-4924-392K	3900	0.25 MHz	70	1.8	36.8	80	20	
SMDS4-4924-472K	4700	0.25 MHz	70	1.7	51.2	68	19	
SMDS4-4924-562K	5600	0.25 MHz	70	1.6	54.6	66	17	
SMDS4-4924-682K	6800	0.25 MHz	70	1.5	62.0	62	16	
SMDS4-4924-822K	8200	0.25 MHz	70	1.4	86.6	52	15	
SMDS4-4924-103K	10000	0.25 MHz	70	1.3	93.1	50	14	
SMDS4-4924-123K	12000	.079 MHz	50	.88	84.0	53	13	
SMDS4-4924-153K	15000	.079 MHz	50	.78	97.0	49	12	
SMDS4-4924-183K	18000	.079 MHz	50	.72	104	48	10	
SMDS4-4924-223K	22000	.079 MHz	50	.57	145	40	9	
SMDS4-4924-273K	27000	.079 MHz	50	.46	195	34	8	
SMDS4-4924-333K	33000	.079 MHz	50	.42	222	32	7	
SMDS4-4924-393K	39000	.079 MHz	50	.42	242	31	6	
SMDS4-4924-473K	47000	.079 MHz	50	.37	317	27	5.5	
SMDS4-4924-563K	56000	.079 MHz	50	.36	362	25	5	
SMDS4-4924-683K	68000	.079 MHz	50	.35	410	24	4	
SMDS4-4924-823K	82000	.079 MHz	50	.34	440	23	3.5	
SMDS4-4924-104K	100000	.079 MHz	50	.32	484	22	3	

SMDS4-4924 Packaging



Symbol	Dimension
C DIM	0.630" +/- 0.01
D DIM	0.342" +/- 0.01
E DIM	0.471" +/- 0.01
F DIM	0.860" +/- 0.01
G DIM	0.157" +/- 0.01
H DIM	0.069" +/- 0.005

SMD S4-4924 PACKING:

800pcs/1REEL: 1350g

2REEL/1BOX: 2800g

1 CARTON/5BOX(8000pcs): 16Kg