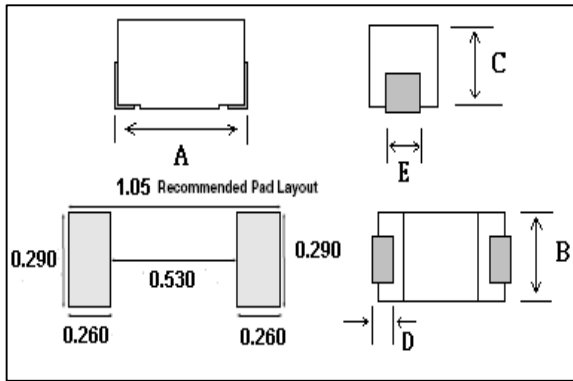


SMD-PA2-7832



**RoHS**  
COMPLIANT



- A: 0.780 +/- .02
- B: 0.320 Max
- C: 0.285" Max
- D : 0.090+/-0.020
- E : 0.200+/-0.025

|                                    |  |
|------------------------------------|--|
| FEATURES                           | .Flame retardant encapsulant (UV 94V-0).<br>.Completely encapsulated winding provides superior environmental protection and moisture resistance.<br>.High current unit in surface mount package printed with model, inductance value and date code.<br>.Compatible with infrared or conventional reflow soldering methods. |
| <b>Characteristics</b>             |  |
| Operating temperature              | -55°C to +125°C(no load);<br>-55°C to + 85°C (at full rated current)   |
| Inductance tolerance               | +/- 15%  |
| Testing<br>(Equivalent acceptable) | <b>L</b> : measured on CH-100 1KHz<br><b>IDC</b> : CH-301 current source&DCR meter<br><b>RDC</b> : CH-301 current source & DCR meter   |
| Incremental Current                | The typical current at which the inductance will be decreased by 5% from its initial zero DC value   |
| Marking                            | Inductance   |
| Encapsulant                        | Epoxy  |
|                                    | <b>Reflow soldering 260°C 10 sec</b><br><b>Resistance to soldering Heat 260°C , 15 sec max</b>   |
| Packaging                          | SMD : 500pcs/reel  |
| Terminals                          | 100% Sn over Ni  |

| PART NUMBER  | L (uH) | TEST FREQ | DCR (Ohms) Max | Current Rating (Amps) Max | Incremental Current (Amps) |
|--------------|--------|-----------|----------------|---------------------------|----------------------------|
| SMD7832-1R0L | 1.0    | 1KHz      | .011           | 9.0                       | 5.3                        |
| SMD7832-1R2L | 1.2    | 1KHz      | .012           | 8.8                       | 4.8                        |
| SMD7832-1R5L | 1.5    | 1KHz      | .012           | 8.6                       | 4.4                        |
| SMD7832-1R8L | 1.8    | 1KHz      | .013           | 8.5                       | 4.0                        |
| SMD7832-2R2L | 2.2    | 1KHz      | .014           | 8.4                       | 3.6                        |
| SMD7832-2R7L | 2.7    | 1KHz      | .016           | 8.2                       | 3.2                        |
| SMD7832-3R3L | 3.3    | 1KHz      | .017           | 8.1                       | 2.8                        |
| SMD7832-3R9L | 3.9    | 1KHz      | .020           | 7.3                       | 2.6                        |
| SMD7832-4R7L | 4.7    | 1KHz      | .023           | 6.7                       | 2.4                        |
| SMD7832-5R6L | 5.6    | 1KHz      | .025           | 6.0                       | 2.3                        |
| SMD7832-6R8L | 6.8    | 1KHz      | .028           | 5.6                       | 2.1                        |
| SMD7832-8R2L | 8.2    | 1KHz      | .032           | 5.3                       | 1.9                        |
| SMD7832-100L | 10     | 1KHz      | .036           | 5.0                       | 1.7                        |
| SMD7832-120L | 12     | 1KHz      | .040           | 4.8                       | 1.5                        |
| SMD7832-150L | 15     | 1KHz      | .043           | 4.5                       | 1.4                        |
| SMD7832-180L | 18     | 1KHz      | .047           | 4.2                       | 1.3                        |
| SMD7832-220L | 22     | 1KHz      | .054           | 3.8                       | 1.2                        |
| SMD7832-270L | 27     | 1KHz      | .074           | 3.4                       | 1.1                        |
| SMD7832-330L | 33     | 1KHz      | .084           | 3.0                       | 0.99                       |
| SMD7832-390L | 39     | 1KHz      | .095           | 2.8                       | 0.93                       |
| SMD7832-470L | 47     | 1KHz      | .120           | 2.6                       | 0.87                       |
| SMD7832-560L | 56     | 1KHz      | .140           | 2.4                       | 0.82                       |
| SMD7832-680L | 68     | 1KHz      | .160           | 2.1                       | 0.76                       |
| SMD7832-820L | 82     | 1KHz      | .184           | 1.9                       | 0.72                       |
| SMD7832-101L | 100    | 1KHz      | .226           | 1.7                       | 0.68                       |
| SMD7832-121L | 120    | 1KHz      | .305           | 1.5                       | 0.61                       |
| SMD7832-151L | 150    | 1KHz      | .362           | 1.4                       | 0.54                       |
| SMD7832-181L | 180    | 1KHz      | .399           | 1.3                       | 0.48                       |
| SMD7832-221L | 220    | 1KHz      | .536           | 1.1                       | 0.44                       |



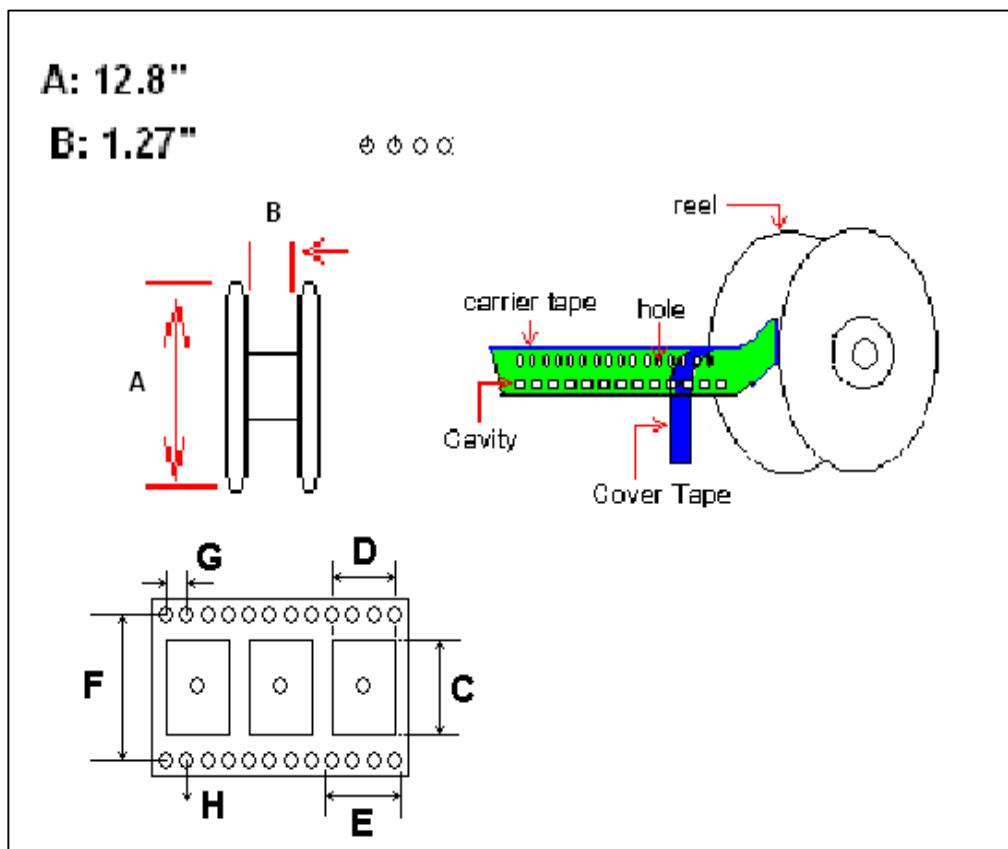
AMT

email: - vanhang@hcm.vnn.vn  
- advtech@tpts1.seed.net.tw

# Molded Inductors SMD7832

| PART NUMBER  | L (uH) | TEST FREQ | DCR (Ohms) Max | Current Rating (Amps) Max | Incremental Current (Amps) |
|--------------|--------|-----------|----------------|---------------------------|----------------------------|
| SMD7832-271L | 270    | 1KHz      | .599           | .95                       | 0.40                       |
| SMD7832-331L | 330    | 1KHz      | .714           | .86                       | 0.36                       |
| SMD7832-391L | 390    | 1KHz      | .819           | .80                       | 0.33                       |
| SMD7832-471L | 470    | 1KHz      | 1.10           | .74                       | 0.31                       |
| SMD7832-561L | 560    | 1KHz      | 1.20           | .68                       | 0.29                       |
| SMD7832-681L | 680    | 1KHz      | 1.58           | .63                       | 0.26                       |
| SMD7832-821L | 820    | 1KHz      | 2.08           | .573                      | 0.23                       |
| SMD7832-102L | 1000   | 1KHz      | 2.42           | .51                       | 0.21                       |
| SMD7832-122L | 1200   | 1KHz      | 2.68           | .46                       | 0.19                       |
| SMD7832-152L | 1500   | 1KHz      | 3.15           | .40                       | 0.17                       |
| SMD7832-182L | 1800   | 1KHz      | 4.20           | .34                       | 0.15                       |
| SMD7832-222L | 2200   | 1KHz      | 4.62           | .31                       | 0.135                      |
| SMD7832-272L | 2700   | 1KHz      | 6.30           | .29                       | 0.12                       |
| SMD7832-332L | 3300   | 1KHz      | 7.09           | .27                       | 0.11                       |
| SMD7832-392L | 3900   | 1KHz      | 9.14           | .25                       | 0.10                       |
| SMD7832-472L | 4700   | 1KHz      | 10.6           | .23                       | 0.09                       |
| SMD7832-562L | 5600   | 1KHz      | 11.8           | .21                       | 0.08                       |
| SMD7832-682L | 6800   | 1KHz      | 15.8           | .19                       | 0.0775                     |
| SMD7832-822L | 8200   | 1KHz      | 21.8           | .17                       | 0.0725                     |
| SMD7832-103L | 10000  | 1KHz      | 24.6           | .16                       | 0.07                       |
| SMD7832-123L | 12000  | 1KHz      | 28.4           | .14                       | 0.0625                     |
| SMD7832-153L | 15000  | 1KHz      | 37.8           | .12                       | 0.055                      |
| SMD7832-183L | 18000  | 1KHz      | 44.1           | .11                       | 0.05                       |

## SMD7832 Packaging



| Symbol | Dimension        |
|--------|------------------|
|        | <b>SMD7832</b>   |
| C DIM  | 0.840" +/- 0.01  |
| D DIM  | 0.496" +/- 0.01  |
| E DIM  | 0.628" +/- 0.01  |
| F DIM  | 1.11" +/- 0.01   |
| G DIM  | 0.157" +/- 0.01  |
| H DIM  | 0.069" +/- 0.005 |

### SMD7832 PACKING:

500pcs/1REEL: 2000g

2REEL/1BOX: 4300g

1CARTON/4BOX( 4000pcs): 18.0Kg